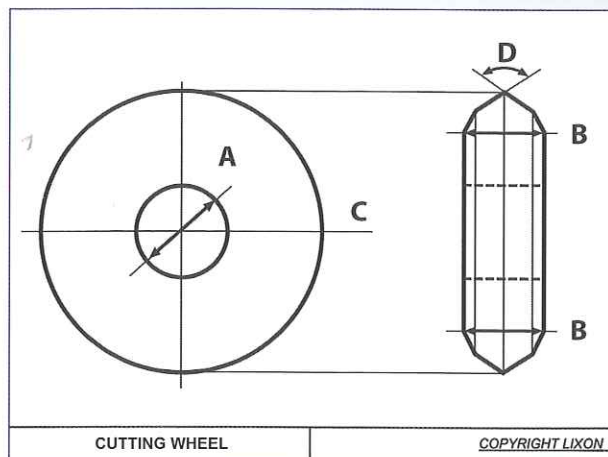


- WHEELS AVAILABLE APART -



Tolerances guaranteed by LIXON :

- External diameter (C): +0.2mm / -0.1 mm
- Internal Diameter – Boring (A): +0.01 mm/0.01mm
- Thickness (B): +0.01mm / -0.01mm
- Concentricity : +/- 0.1 mm
- Angle (D) : +/- 1°

Angles available from 110° to 160° by steps of 5° - Any other angle available on demand.

Dimensions of cutting wheels available apart :

				Supercarbolix	Titalix	Tantalix
C	A	B	D			
3.8	1.32	1	*		●	
4	1.32	1	*		●	
4.2	1.32	1	*		●	
4.2	1.42	1.06	*		●	●
5	1.32	1	*	●	●	
5.2	1.42	1.06	*		●	
5.2	1.53	1.14	*		●	
5.5	1.42	1.06	*			●
5.5	1.53	1.14	*	●		●

* All angle available